

PRODUCT TECHNICAL SHEET

Collection :

JOE

Ref. :

4086.--.48

Robinet lave-mains mural 2 trous à encastrer, bec 200mm

Inbouw fonteinkraan voor wandmontage, uitloop 200mm

Concealed wall-mounted washbasin tap, 2-hole, spout 200mm

Picture

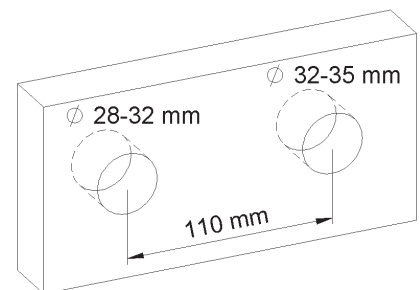
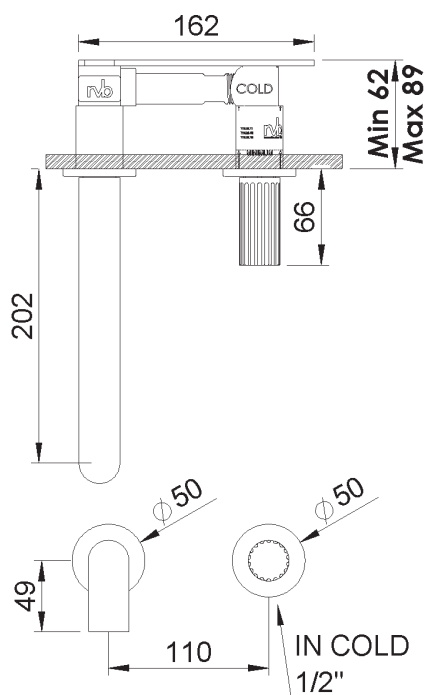
Product details



Flow at 3 bar : Restricted 5 l/min

Internal mechanism : Ceramic valve 1/4 turn

Technical drawing



RA0.V01